

SMA MALE TO F FEMALE IMPEDANCE MATCHING PAD

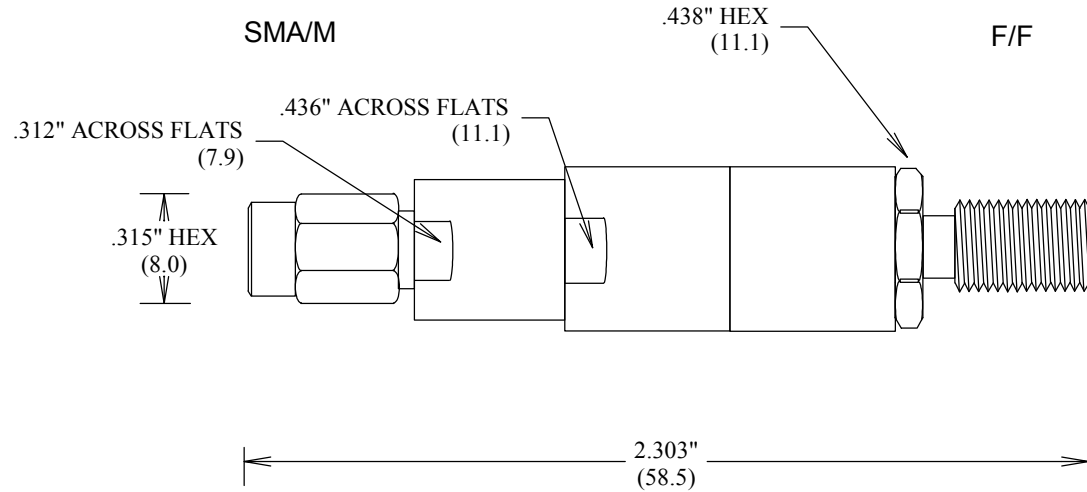
SI1591

SPECIFICATIONS

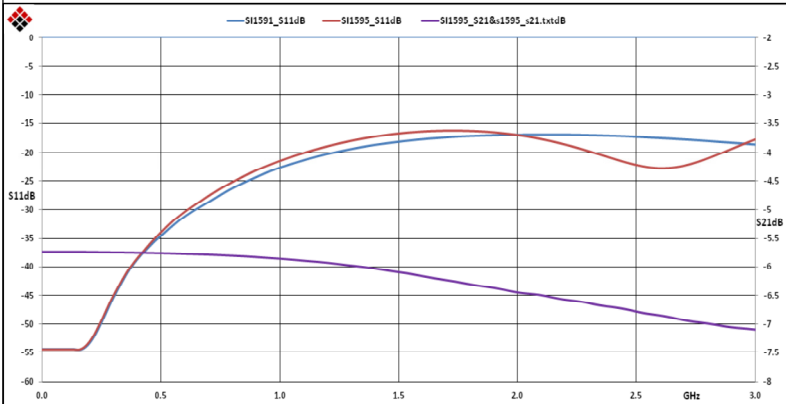
ELECTRICAL:

FREQUENCY: 0-2 GHZ
 IMPEDANCE: SMA: 50 OHMS
 F: 75 OHMS
 VSWR: 1.40:1 MAX
 INPUT POWER: 1 WATT AVERAGE

MECHANICAL:
 ROHS COMPLIANT



MEASUREMENTS BELOW ARE TYPICAL



ALL DIMENSIONS IN inches(MM) Typical

FAIRVIEW MICROWAVE INC.

ALLEN, TX 75013 WWW.FAIRVIEWMICROWAVE.COM

TITLE

**SMA MALE TO F FEMALE
IMPEDANCE MATCHING PAD**

| | | | |
|----------|--------------|---------------|----------|
| SIZE | CAGE CODE | DWG NO | REV |
| A | 3FKR5 | SI1591 | A |
| SCALE | SHEET | | |