

STANDARD GAIN HORN 0.7-18GHZ 20 DB GAIN N-F

SH0718N

SPECIFICATIONS

ELECTRICAL:

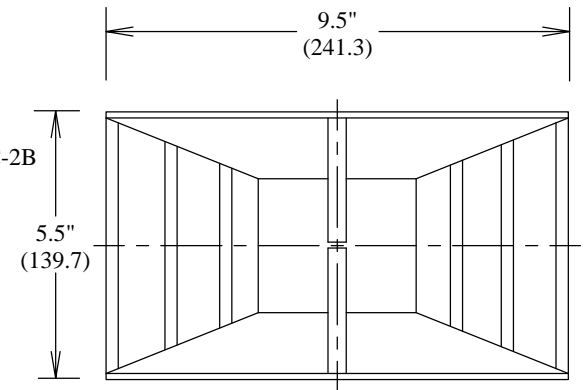
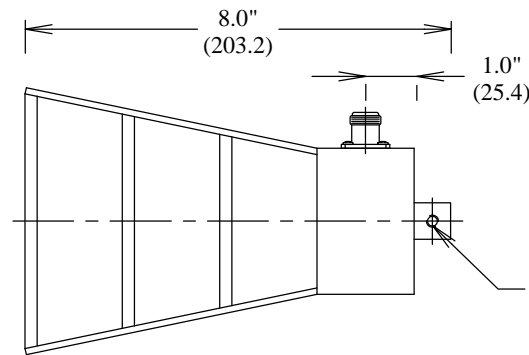
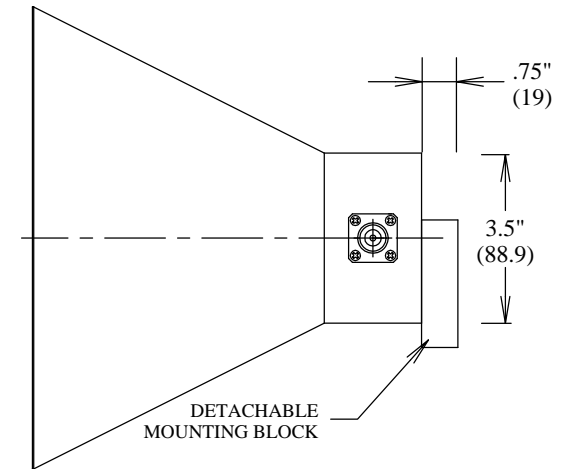
FREQUENCY: 0.7 - 18 GHZ
 VSWR" 1.6 AVG.
 TYPICAL GAIN VARIATION: ± 1.5 TO ± 2.0 DB
 GAIN: 20 DB

3 DB BEAM WIDTH*:
 E PLANE: 17.3°
 H PLANE: 17.4°

MATERIALS:

BODY: ALUMINUM
 N FEMALE: STAINLESS STEEL

*GAIN & 3 DB BEAM WIDTH VALUES HAVE
 CALCULATED BY COMPUTER SIMULATION



FAIRVIEW MICROWAVE INC.

ALLEN, TX 75013 WWW.FAIRVIEWMICROWAVE.COM

TITLE

**STANDARD GAIN HORN 0.7-18GHZ
 20 DB GAIN N-F**

SIZE	CAGE CODE	DWG NO	REV
A	3FKR5	SH0718N	--
SCALE		SHEET	

ALL DIMENSIONS IN inches(MM) Typical