

STANDARD GAIN HORN 7/16-F 17-22 DB

SH0204D

SPECIFICATIONS

ELECTRICAL:

FREQUENCY: 2-4 GHZ
 TYPICAL GAIN VARIATION: ± 1.5 TO ± 2.0 DB
 GAIN: 20 DB
 VSWR 1.5 MAX
 RF POWER: 1200 WATTS

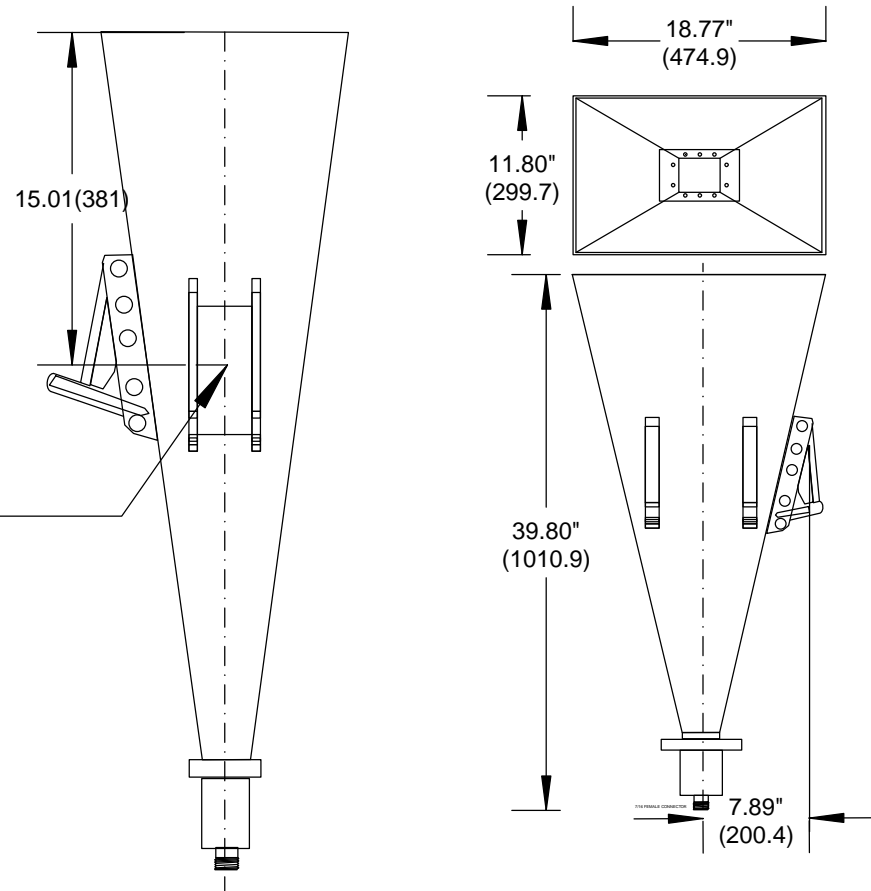
MATERIALS:

BODY: ALUMINUM

FINISH: UNIQUE CORROSION
 RESISTANT
 316 STAINLESS STEEL
 EPOXY COATING
 IAW MIL-F-14072

FLANGE: ALUMINUM

1/4-20UNC-2B
 MOUNTING BLOCK
 (1 PER ASSY)



FAIRVIEW MICROWAVE INC.

ALLEN, TX 75013 WWW.FAIRVIEWMICROWAVE.COM

TITLE

STANDARD GAIN HORN 7/16-F 17-22 DB

SIZE	CAGE CODE	DWG NO	REV
A	3FKR5	SH0204D	--
SCALE		SHEET	

ALL DIMENSIONS IN inches(MM) Typical