

**Broadband Gain Horn Antenna Operating From 1 GHz to 18 GHz With a Nominal 11 dB Typical Gain With N Female Input Connector**

**Electrical Specifications\***

Description	Min	Typ	Max	Units
Frequency Range	1		18	GHz
Nominal Gain	11			dB
Input Power			300	Watts
Input VSWR			1.5:1	

(Values at 25°C, sea level)

**Mechanical Specifications**

**Size**

Length	9.606 in [243.99 mm]
Width	6.457 in [164.01 mm]
Height	8.031 in [203.99 mm]
Weight	3.2 lbs [1.45 Kg]

**Compliance Certifications** (visit [www.FairviewMicrowave.com](http://www.FairviewMicrowave.com) for current document)

REACH Compliant	12/17/2014
-----------------	------------

**Plotted and Other Data**

Notes:

- Values at 25 °C, sea level



**Features:**

- Design: Waveguide Horn
- Frequency Range: 1 to 18 GHz
- Polarization: Linear
- Interface 1: Female
- Interface 2: N Female

Fairview Microwave  
 1130 Junction Dr. #100  
 Allen, TX 75013  
 Tel: 1-800-715-4396 / (972) 649-6678  
 Fax: (972) 649-6689  
[www.fairviewmicrowave.com](http://www.fairviewmicrowave.com)  
[sales@fairviewmicrowave.com](mailto:sales@fairviewmicrowave.com)

**Typical Performance Data**



**Markers**

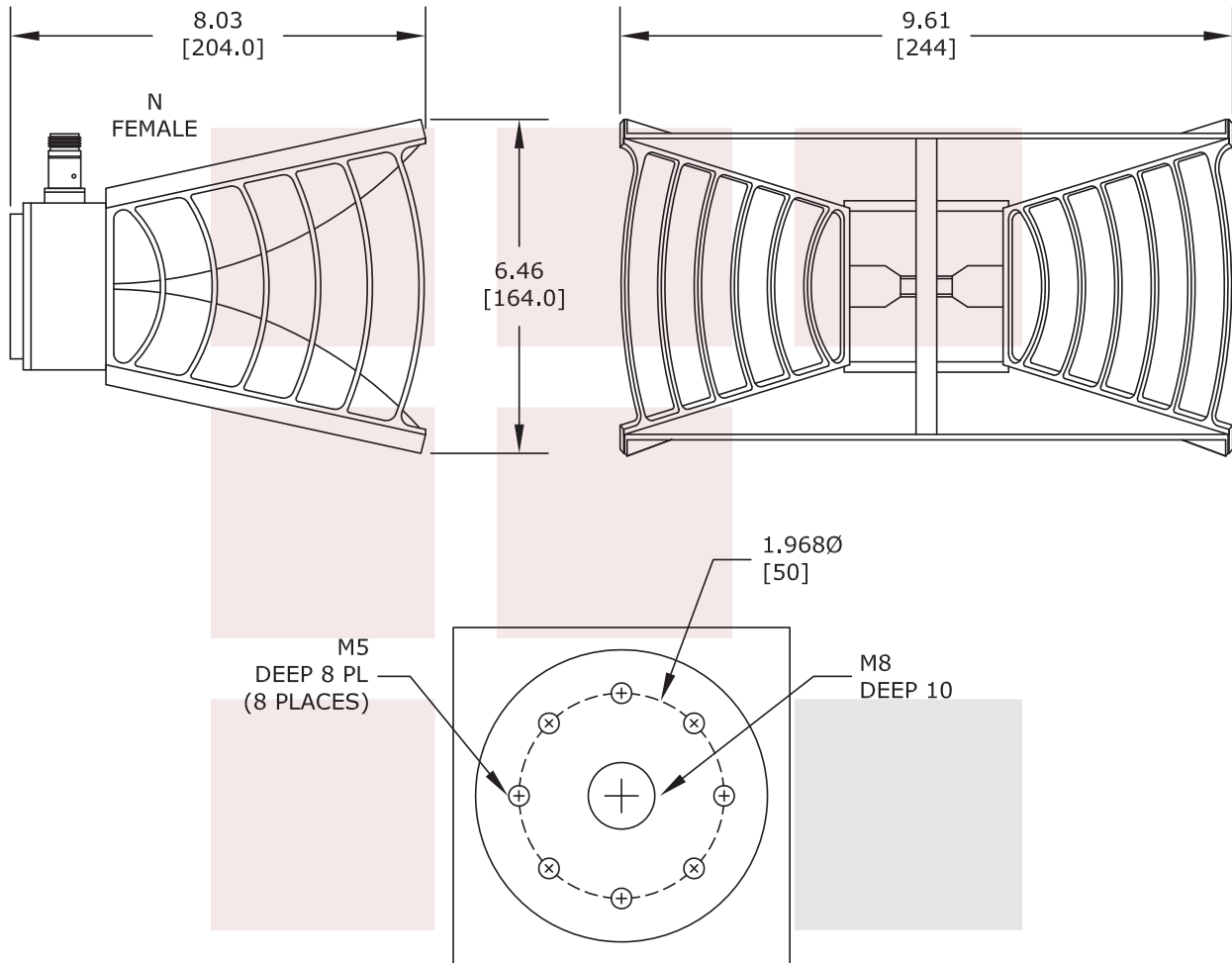
- M1 - 1 GHz, 1.52:1 VSWR
- M5 - 2 GHz, 2.00:1 VSWR
- M2 - 6 GHz, 1.57:1 VSWR
- M3 - 12 GHz, 1.52 VSWR
- M4 - 18 GHz, 1.58 VSWR

Broadband Gain Horn Antenna Operating From 1 GHz to 18 GHz With a Nominal 11 dB Typical Gain With N Female Input Connector from Fairview Microwave is in-stock and available to ship same-day. All of our RF/microwave products are available off-the-shelf from our ISO 9001:2008 certified facilities in Allen, Texas. Fairview Microwave is RF on-demand.

For additional information on this product, please click the following link: [Broadband Gain Horn Antenna Operating From 1 GHz to 18 GHz With a Nominal 11 dB Typical Gain With N Female Input Connector SH0118N](#)

URL: <http://www.fairviewmicrowave.com/waveguide-horn-broadband-band-antenna-11-db-n-female-sh0118n-p.aspx>

The information contained in this document is accurate to the best of our knowledge and representative of the part described herein. It may be necessary to make modifications to the part and/or the documentation of the part, in order to implement improvements. Fairview Microwave reserves the right to make such changes as required. Unless otherwise stated, all specifications are nominal. Fairview Microwave does not make any representation or warranty regarding the suitability of the part described herein for any particular purpose, and Fairview Microwave does not assume any liability arising out of the use of any part or documentation.



<b>FAIRVIEW MICROWAVE INC.</b> ALLEN, TX 75013 WWW.FAIRVIEWMICROWAVE.COM		NOTES: 1. UNLESS OTHERWISE SPECIFIED ALL DIMENSIONS ARE NOMINAL. 2. ALL SPECIFICATIONS ARE SUBJECT TO CHANGE WITHOUT NOTICE AT ANY TIME. 3. DIMENSIONS ARE IN INCHES [mm].			
TITLE Broadband Gain Horn Antenna Operating From 1 GHz to 18 GHz With a Nominal 11 dB Typical Gain With N Female Input Connector		DWG NO SH0118N		CAGE CODE 3FKR5	
CAD FILE	022114	SHEET	SCALE	N/A	SIZE A 2233