

Spike Surge Voltage Simulator

VSS 1275



In compliance with

> MIL-STD-1275E

Introduction

The spike surge voltage simulator VSS 1275 is designed for spike and surge conducted susceptibility tests to 28 V DC input power to utilization equipment in military vehicles as per MIL-STD-1275E. The product is equipped with 28 V, 30 A DC power inside, and load capacity can be extended to 400 A by using diode device DM 400 and line impedance stabilization network LISN ML 400.

Features

- > 5.7" color touch screen front panel operation;
- > Built-in programmable HV DC power;
- > EUT load 28 V, 30 A, and 400 A can be extended;
- > Ethernet & RJ45 interface for PC remote control, support test report generation and print;

Application Areas

- > Military

Surge Waveform Technical Parameters

Surge Voltage	30 V ~ 230 V
Surge Energy	470 J (<60J for 70 V voltage)
Rise Time	1~10 ms
Duration	50 ms (-0/+5)
Generator Impedance	500 mΩ (-25/+0)
Repetition	5 s ~ 99 s
Counter	1~9999
EUT Power Supply	Built-in 28 V, 30 A DC power
Built-in CDN	30 A
External CDN (option)	Max. 400 A

Spike Waveform Technical Parameters

Spike Voltage	50 V ~ 300 V
Spike Energy	<3 J
Rise Time	<50 ns
Polarity	Positive, Negative
Repetition	5 ms~1000 ms
Counter	1~9999
Oscillatory Frequency	100 kHz ~ 500 kHz
EUT Power Supply	Built-in 28 V 30 A DC power
Built-in CDN	30 A
External CDN (option)	Max. 400 A

Options

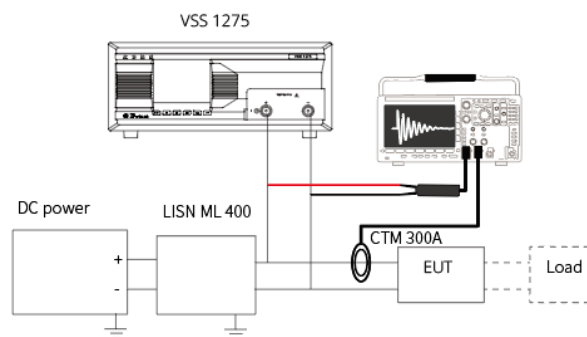
Diode Device DM 400	Max. Current 400 A
Line Impedance Stabilization Network LISN ML 400	5 μH inductance Max. Current 400 A
Current Test Module CTM 300A	Test Range: 0~ ±300 A
Calibration Resistor R05	Impedance: 0.5 Ω (only for MIL-STD-1275E)

Accessories

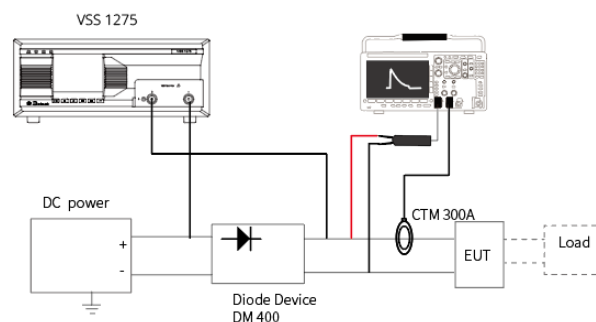
User Manual, Test line, Power line, Earth line, Fuses (spare parts)

General Parameters

Display Screen	5.7" touch screen
Working Power	AC 110 V/220V (±10%) ,50 Hz/60 Hz (AC 220 V 50 Hz in Mainland China)
Fuse	6 A
Dimension	19"/4U
Weight	Approx. 28 kg
Ambient Temperature	15 °C ~ 35°C
Relative Humidity	45%~75%
Atmospheric Pressure	86 kPa~106 kPa



Test Setup for Spike Waveform



Test Setup for Surge Waveform



SUZHOU 3CTEST ELECTRONIC CO., LTD.

Add.: No. 99 E'meishan Road, SND, Suzhou, Jiangsu Province, China

Tel: +86 (0)512 6807 7192 Fax: +86-512-68079795

Sales Email: globalsales@3ctest.cn Service Email: service@3ctest.cn

www.3c-test.com