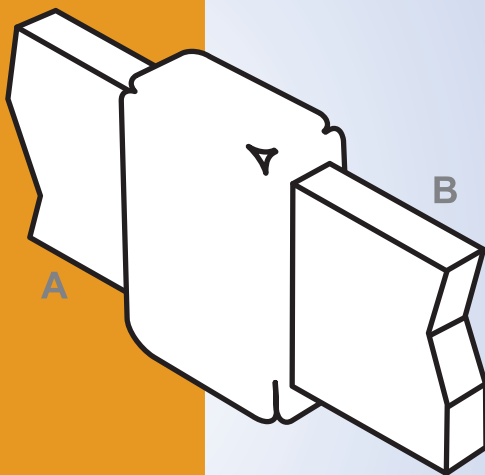


BB1

Bus Bar to Bus Bar
Horizontal bus bar end to end
(vertical flat side)



Conductor Size		Metal Powder (g)	Graphite Mould Type	Handle Clamp Type
A mm x mm	B mm x mm			
20x2		45	BB1-N-202	HCN
20x3		45	BB1-N-203	HCN
25x3		65	BB1-N-253	HCN
25x4		90	BB1-N-254	HCN
25x6		115	BB1-C-256	HCC
30x2		65	BB1-N-302	HCN
30x3		90	BB1-N-303	HCN
30x4		115	BB1-C-304	HCC
30x5		115	BB1-C-305	HCC
31x3		90	BB1-C-313	HCC
31x6		115	BB1-C-316	HCC
38x3		150	BB1-C-383	HCC
38x5		150	BB1-C-385	HCC
38x6		200	BB1-C-386	HCC
40x3		115	BB1-C-403	HCC
40x4		150	BB1-C-404	HCC
40x5		150	BB1-C-405	HCC
40x6		200	BB1-C-406	HCC
50x3		115	BB1-C-503	HCC
50x4		115	BB1-C-504	HCC
50x5		200	BB1-C-505	HCC
50x6		250	BB1-C-506	HCC
50x8		150x2	BB1-D-508	HCD
60x6		250	BB1-C-606	HCC
60x8		200x2	BB1-D-608	HCD
60x10		250x2	BB1-D-6010	HCD
80x6		200x2	BB1-D-806	HCD
80x8		250x2	BB1-D-808	HCD
80x10		200x3	BB1-D-8010	HCD

Tools Request :



Mould



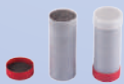
Mould brush



Handle clamp



Scraper



Metal powder



Steel disk



Flint igniter



Bus bar brush